

Everything in Solenoid Solution



- Solenoid & Proportional Solenoid Valves
- Accessories

Infinity[®]

www.infinitycontrols.com



Infinity® a global brand in solenoid valves, produced by **Shayri Metals**, who specialises in such critical components & having experience over 2 decades in producing the various types of solenoid valves, solenoid pumps & Fuel Dispensing Pump related accessories like break aways, flow indicators

Infinity's professional management team along with advance Machinery ensures that a good R&D, QC capability. Infinity has the most advanced CNC / VMC machines & technical resources to design & produce solenoid valves specially for fuel dispensers & other critical applications.

With ISO 9001:2008 , quality system has been set up through out our company. Infinity boasts of having some of the highest domestic & International certifications's standards & approvals like EN, IECEx, BIS, ASTM, ATEX, CMRI & CCE to meet customer requirement globally.



INDEX



Solenoid & Proportional Solenoid Valves



Solenoid Valve for Fuel Dispensers

Type	Model No	Page
2 way 2 stage solenoid valve	IN 4110 F	03
2 way 2 stage solenoid valve	IN 4150 F	04
3 way 2 stage solenoid valve	IN 4111 F	05
Proportional solenoid valve	SM/FP/0102	06
2 Way 2 stage solenoid valve for LPG	SM/FP/0103	07



Accessories



Type	Model No	Page
Break aways	1" Standard	09
Break aways	3/4" Standard	10
Sight flow indicator	IN 4650 A	11
Sight flow indicator	IN 4660 A	12

Solenoid & Proportional Solenoid Valves



**Solenoid & Proportional Solenoid Valves
for Fuel Dispensers**



Solenoid valves for fuel dispensers

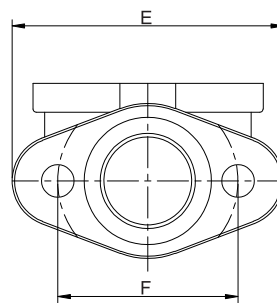
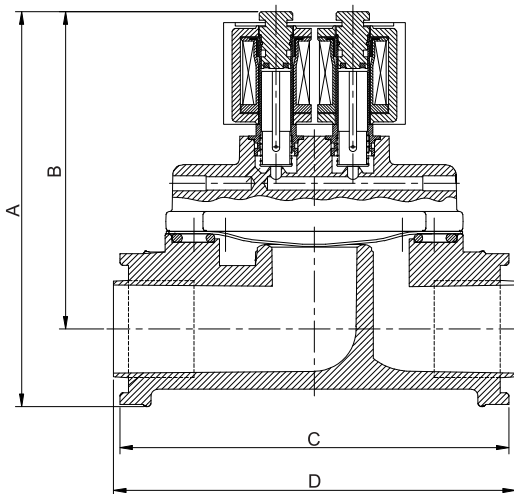
2way -2 stage solenoid valve

Model No.: IN 4110 F



TECHNICAL SPECIFICATION :

Type	: 2 Way -2 stage solenoid valve(NC)
Port size	: 1" flange
Period	: Continuous
Insulation class	: F
Working fluid pressure	: 0.35 bar to 3.5 bar
Body material	: Aluminium
Diaphragm	: FPM (Fluoroelastomer)
Orifice	: 2.5 mm / 25 mm
Operating voltage	: 220-240V AC & 24V DC
Wattage	: 4.25 x 2 Watt (For 230V AC) & 6.5 x 2 Watt (For 24V DC)
Fluid media	: Petrol / Diesel
Ambient temp.	: -40°C to + 65°C
Approvals	: Atex, CMRI, CCE



Dimensions are in mm

Model No	Port Size (Inch)	A	B	C	D	E	F
IN 4110 F	1" Flange	118.3	95	116.6	120.4	81.3	54



Solenoid valves for fuel dispensers

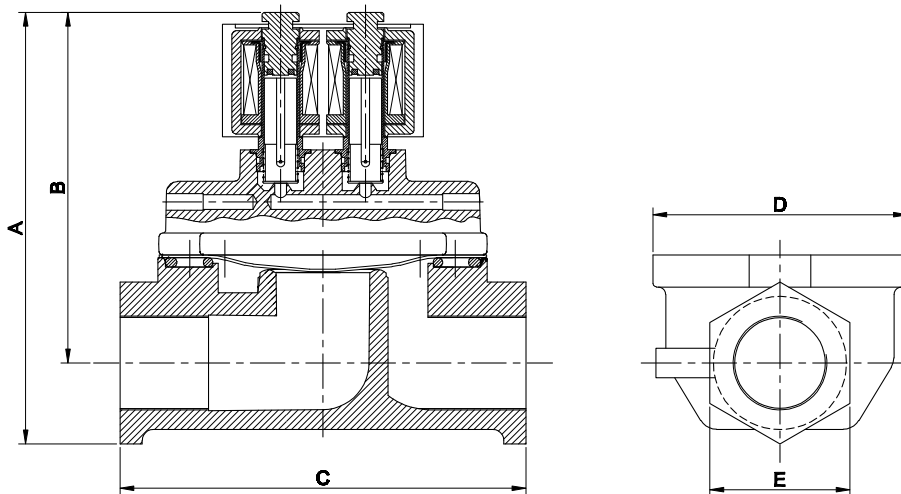
2way -2 stage solenoid valve

Model No.: IN 4150 F



TECHNICAL SPECIFICATION :

Type	: 2 Way - 2 stage solenoid valve(NC)
Port size	: 3/4" BSP / NPT
Period	: Continuous
Insulation class	: F
Working fluid pressure	: 0.35 bar to 3.5 bar
Body material	: Aluminium
Diaphragm	: FPM (Fluoroelastomer)
Orifice	: 2.5 mm / 25 mm
Operating voltage	: 220-240V AC & 24V DC
Wattage	: 4.25 x 2 Watt (For 230V AC) & 6.5 x 2 Watt (For 24V DC)
Fluid media	: Petrol / Diesel
Ambient temp.	: -40°C to + 65°C
Approvals	: Atex , CMRI , CCE



Dimensions are in mm

Model No	Port Size (Inch)	A	B	C	D	E
IN 4150 F-001	3/4"BSP	117	95	110	69	38
IN 4150 F-002	3/4"NPT	117	95	110	69	38



Solenoid valves for fuel dispensers

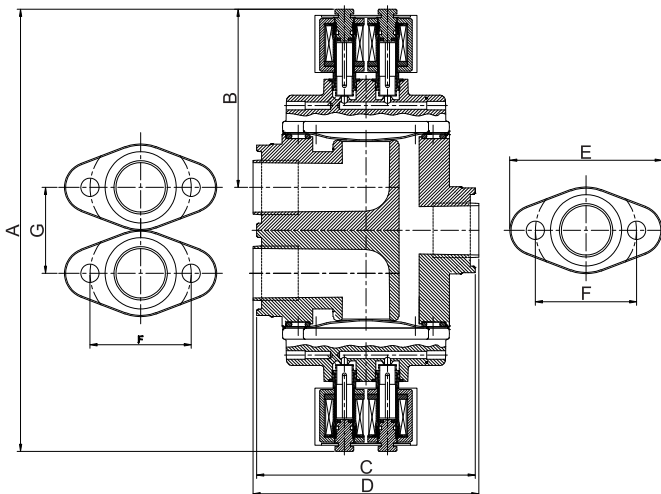
3way -2 stage solenoid valve

Model No.: IN 4111 F



TECHNICAL SPECIFICATION :

Type	: 3 Way -2 stage solenoid valve(NC)
Port size	: 1" flange
Period	: Continuous
Insulation class	: F
Working fluid pressure	: 0.35 bar to 3.5 bar
Body material	: Aluminium
Diaphragm	: FPM (Fluoroelastomer)
Orifice	: 2.5 mm / 25 mm
Operating voltage	: 220-240V AC & 24V DC
Wattage	: 4.25 x 2 Watt (For 230V AC) & 6.5 x 2 Watt (For 24V DC)
Fluid media	: Petrol / Diesel
Ambient temp.	: -40°C to +65°C
Approvals	: Atex, CMRI, CCE



Dimensions are in mm

Model No	Port Size (Inch)	A	B	C	D	E	F	G
IN 4111 F	1" Flange	235.9	95	116.6	120.4	81.3	54	45.8



Solenoid valves for fuel dispensers

Proportional Solenoid valve

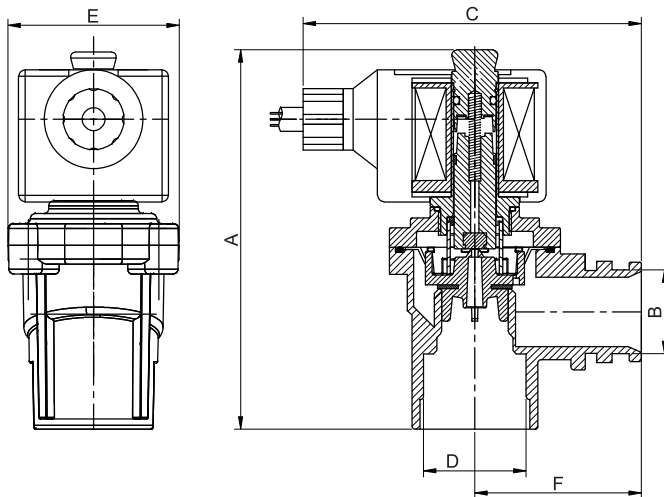
Catalogue no. SM/FP/0102



TECHNICAL SPECIFICATION :

Type	: 2 Way proportional solenoid valve (NC)
Port size	: Seal fitting
Period	: Continuous
Insulation class	: F
Working fluid pressure	: 0.35 bar to 3.5 bar
Body material	: Aluminium
Diaphragm	: PTFE
Orifice	: 20mm
Operating voltage	: 24V DC
Wattage	: 8 Watt
Fluid media	: Petrol / Diesel / Gasoline
Ambient temp.	: -40°C to + 60°C
Approvals	: Atex

EC Type Examination Certificate No.: ITS14ATEX58048X



Dimensions are in mm

Model No	Port Size	A	B	C	D	E	F
IN 4370 F	Seal Fit	114.7	25.3	102.2	31	51.8	50.4



Solenoid valves for fuel dispensers

2 way 2 stage solenoid valve for LPG

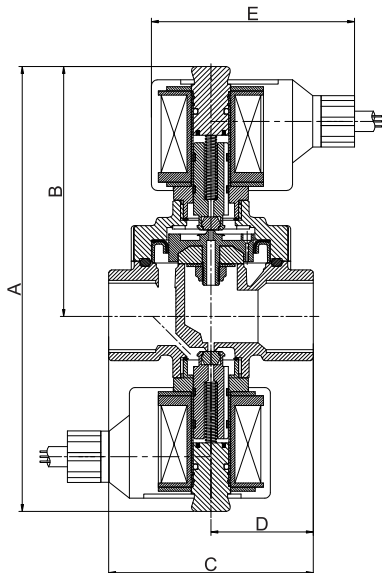
Catalogue no.: SM/FP/0102 (DC)
SM/FP/0103 (AC)



EC Type Examination Certificate No.: ITS14ATEX58048X

TECHNICAL SPECIFICATION :

Type	: 2 way - 2 stage solenoid valve (NC)
Port size	: 3/4" BSP / NPT
Period	: Continuous
Insulation class	: F
Working fluid pressure	: 0 bar to 25 bar (AC) 0 bar to 17 bar (DC)
Body Material	: Brass
Diaphragm	: PTFE
Orifice	: 2.4 mm / 19 mm
Operating Voltage	: 230V AC & 24V DC
Wattage	: 10.5 Watt (For 230V AC) & 8 Watt (For 24V DC)
Fluid Media	: LPG Gas/ Liquid
Ambient temp.	: -40°C to + 60°C
Approvals	: Atex



Dimensions are in mm

Model No	Port Size (Inch)	A	B	C	D	E
IN 3350 F-001	3/4" BSP	161	90	74	37	73.5
IN 3350 F-002	3/4" NPT	161	90	74	37	73.5

Accessories



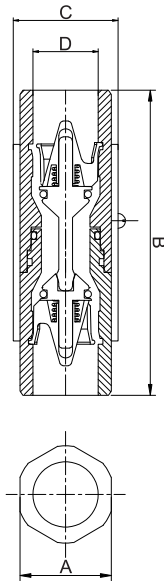
Break aways

Sight flow indicators

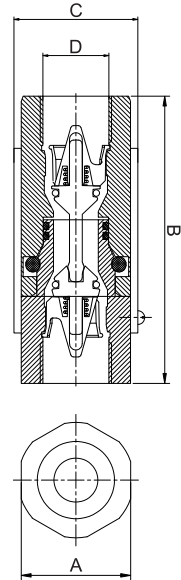


Break aways - 1" Standard

Non Reconnectable Break away
Model No.: IN 4660 B



Reconnectable Break away
Model No.: IN 4660 C



TECHNICAL SPECIFICATION :

Type	: 2 Way (NO)
Size	: 1" NPT / BSP
Body material	: Aluminium
O rings & Seals	: FPM (Fluoroelastomer)
Fluid media	: Petrol / Diesel
Approvals	: Atex

FEATURES :

Infinity[®] IN 4660 B Non Reconnectable Break away has economical design with 1" connection for standard hose application. The double poppets seal both hoses upon separation.

Infinity[®] IN4660 C Reconnectable Break away allows for immediate return to service after a drive away with no repair kit required. This is made possible by a unique reconnectable design. The double poppets seal both hoses upon separation.

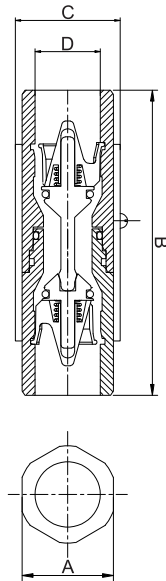
Dimensions are in mm

Model No	Port Size (Inch)	Type	A	B	C	D (Inch)	Weight	Max. Separation Pull Force
IN 4660 B	1" NPT / BSP	Non Reconnectable	46	142.6	51.5	1"	0.8 lbs	350 LBS
IN 4660 C	1" NPT / BSP	Reconnectable	46	141.5	51.5	1"	1.0 lbs	350 LBS

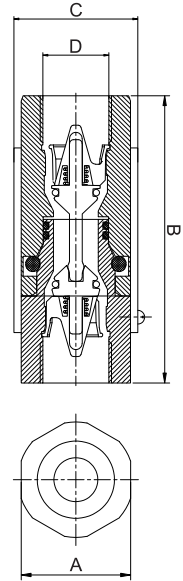


Break aways - 3/4" Standard

Non Reconnectable Break away
Model No.: IN 4650 B



Reconnectable Break away
Model No.: IN 4650 C



TECHNICAL SPECIFICATION :

Type	: 2 way (NO)
Size	: 1" NPT / BSP
Body material	: Aluminium
O rings & Seals	: FPM (Fluoroelastomer)
Fluid media	: Petrol / Diesel
Approvals	: Atex

FEATURES :

Infinity® IN 4650 B Non Reconnectable Break away has economical design with 1" connection for standard hose application. The double poppets seal both hoses upon separation.

Infinity® IN4650 C Reconnectable Break away allows for immediate return to service after a drive away with no repair kit required. This is made possible by a unique reconnectable design. The double poppets seal both hoses upon separation.

Dimensions are in mm

Model No	Port Size (Inch)	Type	A	B	C	D (Inch)	Weight	Max. Separation Pull Force
IN 4650 B	3/4" NPT / BSP	Non Reconnectable	31.8	106.3	36.5	3/4"	0.4 lbs	350 LBS
IN 4650 C	3/4" NPT / BSP	Reconnectable	41.5	108.9	47	3/4"	0.8 lbs	350 LBS



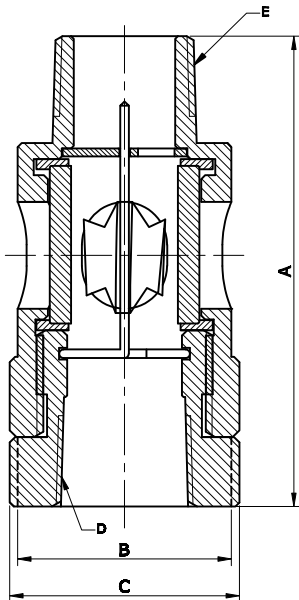
Sight flow indicator

Model No.: IN 4650 A



TECHNICAL SPECIFICATION :

Type	: 2 Way (NO)
Size	: 3/4" NPT
Body Material	: Aluminium
O rings & Seals	: FPM (Fluoroelastomer)
Fluid Media	: Petrol / Diesel



Dimensions are in mm

Model No	Port Size (Inch)	Type	A	B	C	D (Inch)	E (Inch)
IN 4650 A	3/4"NPT/BSP	2 Way	88	40	43	3/4"	3/4"



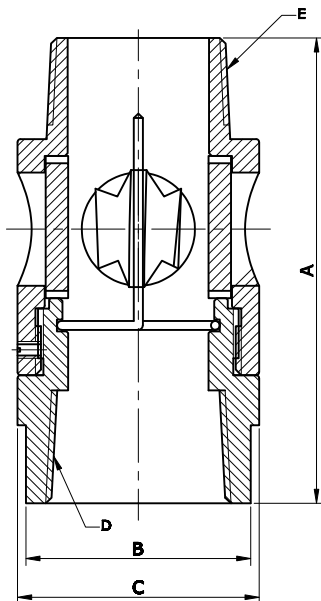
Sight flow indicator

Model No.: IN 4660 A



TECHNICAL SPECIFICATION :

Type	: 2 Way (NO)
Size	: 1" NPT
Body Material	: Aluminium
O rings & Seals	: FPM (Fluoroelastomer)
Fluid Media	: Petrol / Diesel



Dimensions are in mm

Model No	Port Size (Inch)	Type	A	B	C	D (Inch)	E (Inch)
IN 4660 A	1"NPT/BSP	2 Way	82.8	40	43	1"	1"



We at **Infinity[®]** are Committed to Customer Delight.

We shall Continuously Strive toward Timely Delivery of Quality Products to our Customers and Provide Best Value for Money.

This Shall be Delivered through:

Total Employee Involvement Continual Improvement of Process.



SHAYRI METALS

Office : 2, Laxminagar, Nr. Vandand Seva Samaj,
Rajkot - 360 004. (Gujarat) INDIA.
Works : 63, Golden Industrial, Survey No. 203,
Gondal Road, At : Khothriya,
Dist.: Rajkot. (Gujarat) INDIA.
Phone : +91 - 281 - 2370975 Fax : +91 - 281 - 2371277
Email : jayeshpatel@infinitycontrols.com
pranav@infinitycontrols.com
Visit us at : www.infinitycontrols.com