



Solenoid valves for Ad Blue (DEF) dispensers

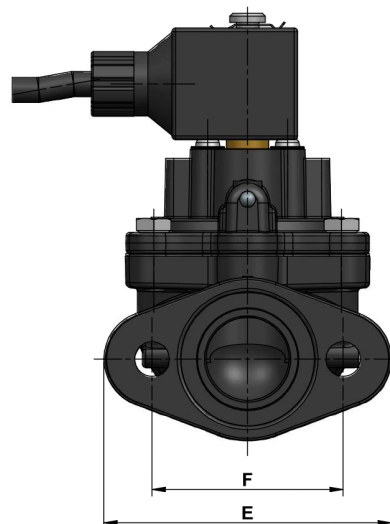
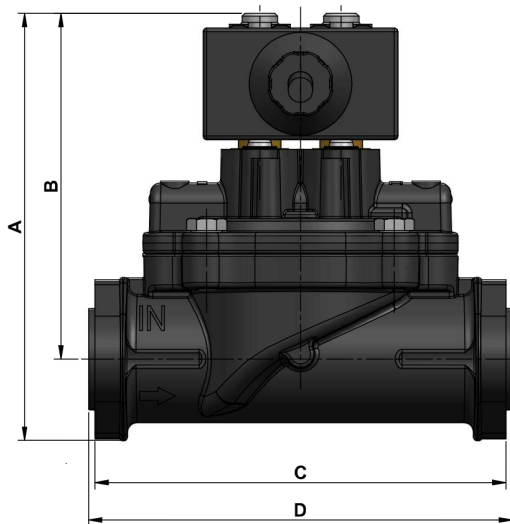
2way -2 stage solenoid valve

Model No.: IN 4110 F (DEF)



TECHNICAL SPECIFICATION :

Type	: 2 Way - 2 stage solenoid valve(NC)
Port size	: Flange Type
Period	: Continuous
Insulation class	: F
Working fluid pressure	: 0.35 bar to 3.5 bar
Body material	: Aluminium Ad Blue (DEF) Coating
Diaphragm	: FPM (Fluoroelastomer)
Orifice	: 2.5 mm / 25 mm
Operating voltage	: 230V AC / 24V DC / 12V DC
Wattage	: 2 x 6.9W (230V) & 2 x 6.25W (24V DC) & 2 x 6.8W (12V DC)
Fluid media	: Petrol / Diesel / Ad Blue (DEF)
Ambient temp.	: -40°C to + 65°C
Approvals	: ATEX, IECEx, PESO



Dimensions are in mm

Model No	Port Size	A	B	C	D	E	F
IN 4110 F (DEF)	Flange	119	97	116	119.7	81.2	54