



## Solenoid valves for Ad Blue (SS) dispensers

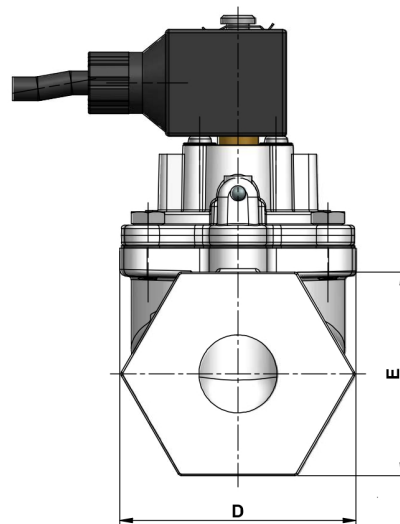
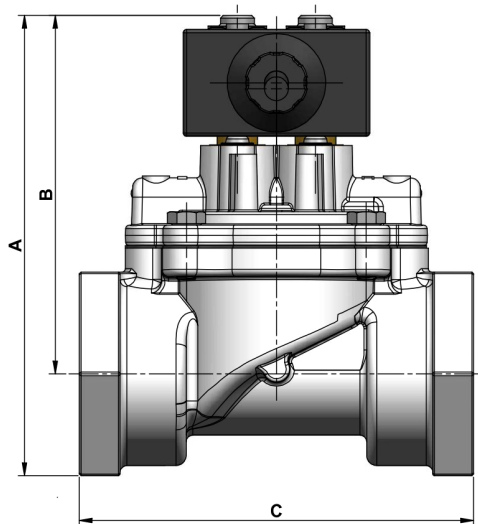
### 2way -2 stage solenoid valve

Model No.: IN 4150 F SS



#### TECHNICAL SPECIFICATION :

Type	: 2 Way - 2 stage solenoid valve(NC)
Port size	: ¾" & 1" BSP / NPT
Period	: Continuous
Insulation class	: F
Working fluid pressure	: 0.35 bar to 3.5 bar
Body material	: Stainless Steel 304
Diaphragm	: FPM (Fluoroelastomer)
Orifice	: 2.5 mm / 25 mm
Operating voltage	: 230V AC / 24V DC / 12V DC
Wattage	: 2 x 6.9W (230V) & 2 x 6.25W (24V DC) & 2 x 6.8W (12V DC)
Fluid media	: Petrol / Diesel / Ad Blue (SS)
Ambient temp.	: -40°C to + 65°C
Approvals	: ATEX, IECEx, PESO



Dimensions are in mm

Model No	Port Size (Inch)	A	B	C	D	E
IN 4150 F SS	¾" BSP/NPT	134	104	116.2	69	60