



Solenoid valves for fuel dispensers

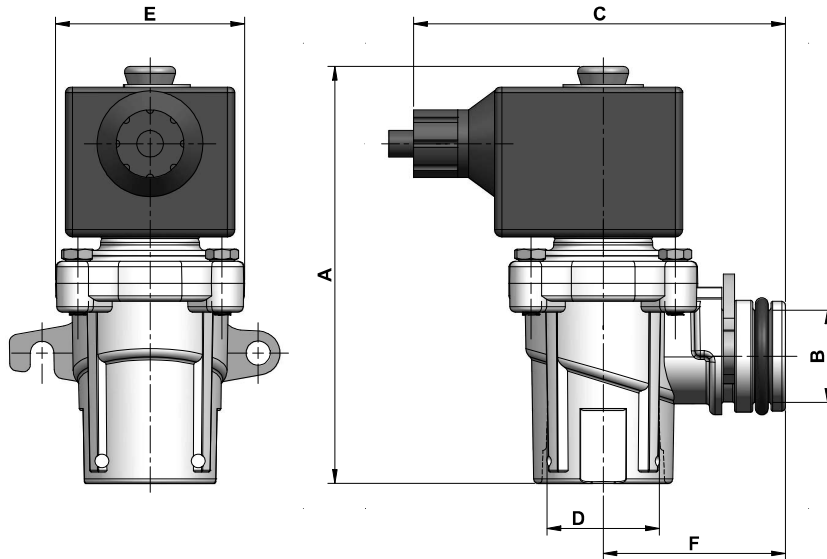
Proportional Solenoid valve

Model No.: IN 4370 F



TECHNICAL SPECIFICATION :

Type	: 2 Way proportional solenoid valve (NC)
Port size	: Seal fitting
Period	: Continuous
Insulation class	: F
Working fluid pressure	: 0.35 bar to 3.5 bar
Body material	: Aluminium
Diaphragm	: PTFE
Orifice	: 20mm
Operating voltage	: 230V AC & 24V DC & 12V DC.
Wattage	: 9W (230V AC) & 7W (24V DC) & 5.2W (12V DC).
Fluid media	: Petrol / Diesel / Gasoline
Ambient temp.	: -40°C to + 60°C
Approvals	: ATEX, IECEx, PESO



Dimensions are in mm

Model No	Port Size	A	B	C	D	E	F
IN 4370 F	Seal Fit	114.7	25.3	102.2	31	51.8	50.4