



Solenoid valves for fuel dispensers

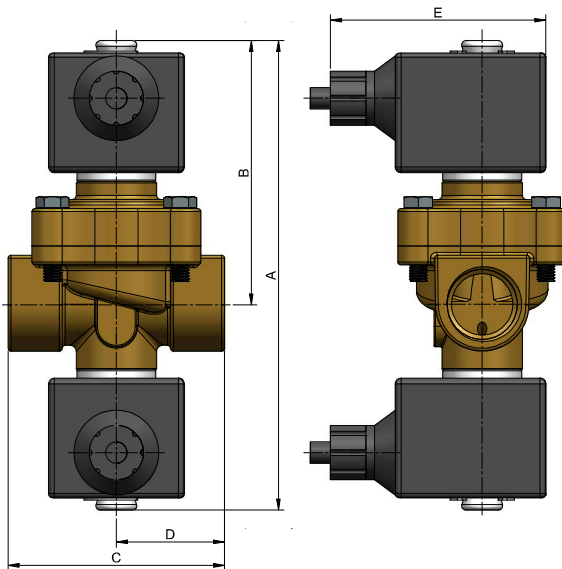
2 way 2 stage solenoid valve for LPG

Model No.: IN 3350 F



TECHNICAL SPECIFICATION :

Type	: 2 way - 2 stage solenoid valve (NC)
Port size	: 3/4" & 1" BSP / NPT
Period	: Continuous
Insulation class	: F
Working fluid pressure	: 0 bar to 25 bar (AC) 0 bar to 17 bar (DC)
Body Material	: Brass
Diaphragm	: PTFE
Orifice	: 2.4 mm / 19 mm
Operating Voltage	: 230V AC & 24V DC & 12V DC.
Wattage	: 9 W (230V AC) & 7W (24V DC) & 5.2W (12V DC)
Fluid Media	: LPG Gas/ Liquid
Ambient temp.	: -40°C to + 60°C
Approvals	: ATEX, IECEX, PESO



Dimensions are in mm

Model No	Port Size (Inch)	A	B	C	D	E
IN 3350 F	3/4" BSP / NPT	161	90	74	37	73.5