



INSV series of Emergency Shut-off Valves

Shear valve

Model No.: AT/SM/SV/ASSY/01 & AT/SM/SV/ASSY/02

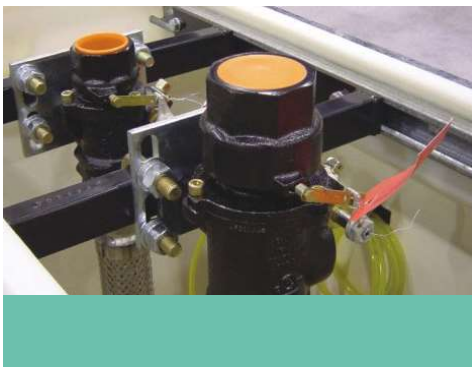


Materials :

Body : Gray Iron
Seal : Viton
Carrier : Zink - Plate Steel
Medium : Water, Gasoline, Diesel and Kerosene
Poppet Spring : Stainless Steel
Disc : Viton
Packing Nut : Brass, Teflon-coated
Operating Environment : -25°C ~ + 65°C

Package :

Net Weight : 2.750 Kg /pc
Gross Weight : 3 Kg/pc
254 x 254 x 380 mm 8 pc



Infinity INSV Series Emergency Shut-off Valves are installed on fuel supply lines beneath at grade level to minimize hazards associated with collision or fire at the dispenser. If the dispenser is pulled over or dislodged by collision, the top of the valve brakes of the flow of fuel. Single -poppet models shut off supply flow, while double-poppet models shut off supply as well as prevent release of fuel from the dispenser's internal piping. The base of the Emergency Valve is securely anchored to the concrete dispenser island through a stabilizer bar system within a U-Bolt Assembly Valve inlet (bottom) connection are female pipe threads and outlet (top) connections are available with female threads male threads, or a union fitting. Other options include suction system models with a normally closed secondary poppet which maintain prime, and models with external threads on inlet body which connect to secondary containment system.

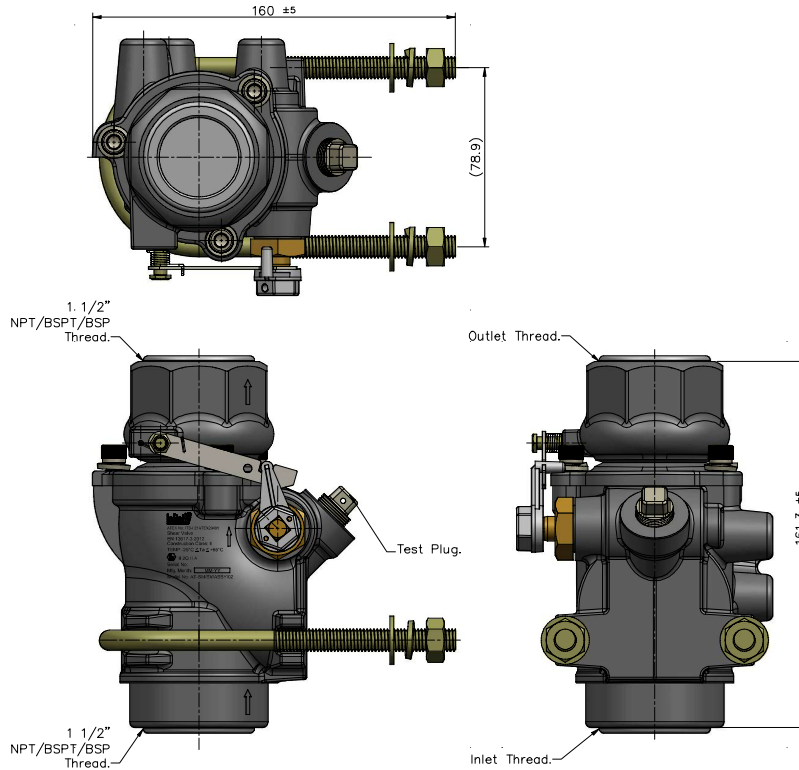
Features & Benefits :

- **Shear Force:** 300 NM - 880 NM
- **Fire Protection:** A fusible link trips the valve closed at 76°C to shut off fuel supply to the dispense.
- **Integral Test Port:** A 3/8" Test Port allows the piping system to be air tested without breaking any piping connection.
- **Low - Profile Tops:** Female and Union-top Double-poppet valves have a low - profile top to allow upgrading from Infinity Single-poppet Valves without changing existing piping.
- **Multiple Mounting Option:** Valves are boss-mounted to stabilizer bars in sump and pans or mounted to bars embedded in the island with U-Bolt kits. Versatile Combination Body (Boss mount / U-Bolt mount) models are available to accommodate most mounting applications with one valve style.
- **100% Factory Tested.**



Shear valve

Model No.: AT/SM/SV/ASSY/01 & AT/SM/SV/ASSY/02



Ordering Specifications :

Model No	Inlet	Outlet	PC
SV-01 01	BSPT 1.5" (Female)	BSPT 1.5" (Female)	Single
SV-02 02	BSPT 1.5" (Female)	BSPT 1.5" (Female)	Double
SV-01 03	BSP 1.5" (Female)	BSP 1.5" (Female)	Single
SV-02 04	BSP 1.5" (Female)	BSP 1.5" (Female)	Double
SV-01 05	NPT 1.5" (Female)	NPT 1.5" (Female)	Single
SV-02 06	NPT 1.5" (Female)	NPT 1.5" (Female)	Double

Infinity Products should be used in compliance with country, province and local Laws and regulations. Products selection should be based on physical specification and limitations and compatibility with the environment and materials to be handled. Infinity makes no warranty of fitness for a particular use, All illustrations and specifications in this literature are based on the latest products information available at the time of publication, Infinity reserves the right to make changes at any time in price, materials, specifications and models and to discontinue models without or obligation.

Listing and ATEX Certifications No:

ITS-I21ATEX29495